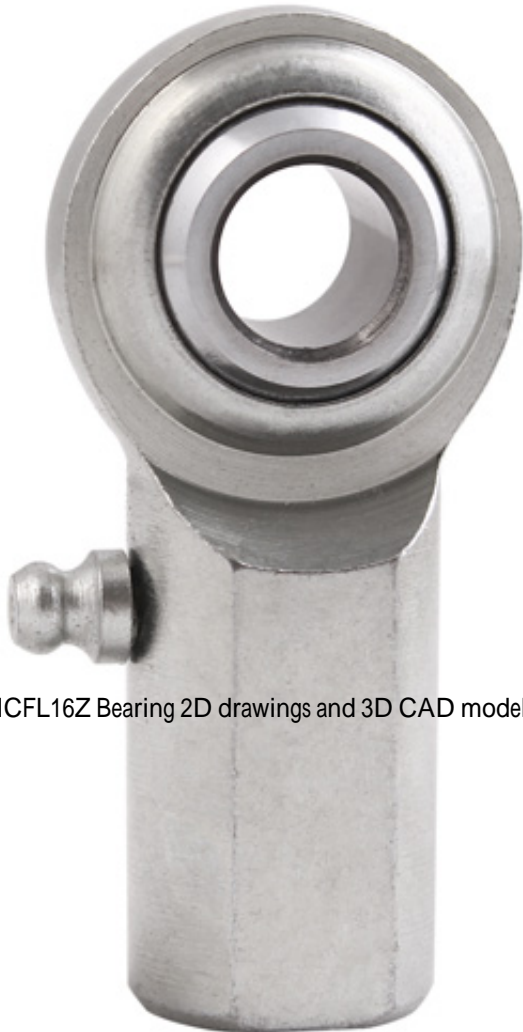




NACHI BEARINGS OF AMERICA CORP.

QA1 Precision Products MCFL16Z Bearings Spherical Rod Ends

Bearing No. MCFL16Z



MCFL16Z Bearing 2D drawings and 3D CAD models

| | |
|------------------------|---|
| d | 16 mm |
| housing material: | Carbon Steel - corrosion resistant plating |
| misalignment angle: | 23 ° |
| ball material: | 52100 BEARING STEEL HEAT TREATED CHROME PLATE |
| shank thread length: | 33 mm |
| lubrication: | Unlubricated |
| rod end type: | Female Threaded |
| head diameter: | 38 mm |
| shank thread size: | M16 x 2.0 |
| head width: | 12.75 mm |
| thread direction: | Left Hand |
| ball width: | 21 mm |
| grade: | Commercial/Industrial |
| length to ball center: | 64 mm |
| lubrication type: | With Lubrication Fitting |
| series: | MC |