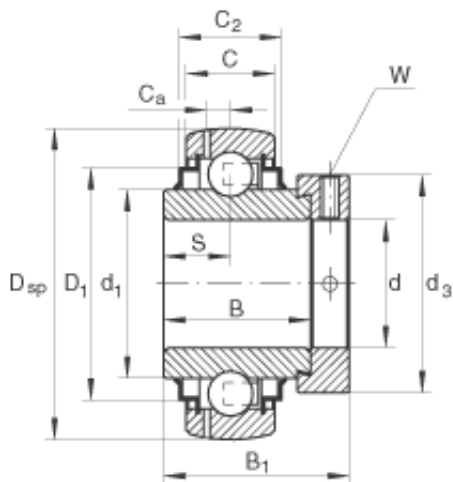




# NACHI BEARINGS OF AMERICA CORP.



GE35-KLL-B Bearing 2D drawings and 3D CAD models

## INA GE35-KLL-B Ball Insert Bearings

Bearing No. GE35-KLL-B

Size	35x72x51.3 mm
Bore Diameter	35 mm
Outer Diameter	72 mm
Width	51,3 mm
d	35 mm
D <sub>SP</sub>	72 mm
B <sub>1</sub>	51,3 mm
B	37,7 mm
C	19 mm
C <sub>2</sub>	25,4 mm
C <sub>a</sub>	5,6 mm
D <sub>1</sub>	60,3 mm
d <sub>1</sub>	46,8 mm
d <sub>3 max</sub>	51 mm
S	18,8 mm
W	5 mm
m	0,56 kg / Weight
C <sub>r</sub>	27500 N / Dynamic load rating (radial)
C <sub>0r</sub>	15300 N / Static load rating (radial)
Category	Plain Bearings
Inventory	0.0
Manufacturer Name	SCHAEFFLER GROUP
Minimum Buy Quantity	N/A
Weight / Kilogram	0.43



# NACHI BEARINGS OF AMERICA CORP.

Product Group	
---------------	--

	B04264
--	--------